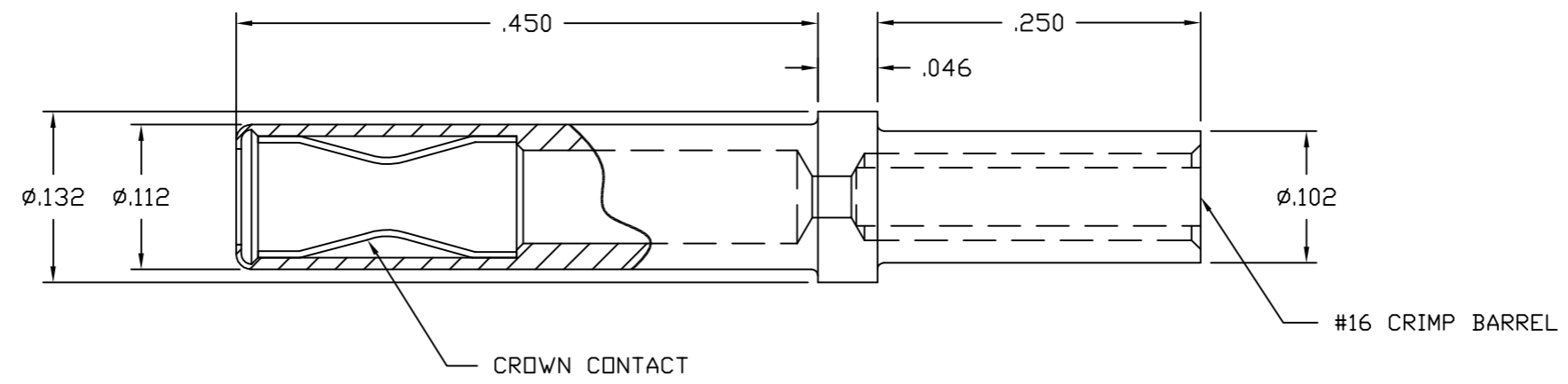


This drawing involves proprietary design rights of Tyco Electronics Corporation, and all design, manufacture, reproduction, use and sale rights regarding the same are expressly reserved. It is submitted for a specific purpose and the recipient by accepting this drawing, assumes custody and control and agrees to take reasonable precautions; (a) that this drawing will not be copied and reproduced, in whole or in part, or its contents revealed in any manner, or to any person except to meet the purpose for which it was delivered and (b) that any special features peculiar to this design will not be incorporated in other projects without the expressed written permission of Tyco Electronics Corporation.

REVISIONS			
EC	REV	DESCRIPTION	DATE
CPR	A	NEW RELEASE	12/01/05



4. FINISH:
 SOCKET BODY: SILVER PLATED.
 CROWN CONTACT: GOLD PLATED.

3. MATERIALS:
 SOCKET BODY: TELLURIUM COPPER ALLOY.
 CROWN CONTACT: BERYLLIUM COPPER.

2. ITEMS PROVIDED TO THIS SPECIFICATION SHALL BE PERMANENTLY IDENTIFIED/PACKAGED PER THE FOLLOWING: CONNECTOR MFG. I.D. AND PART NUMBER.

1. PART NUMBER CHANGES AND/OR DESIGN CHANGES AFFECTING ITEM INTERCHANGEABILITY REQUIRE PRIOR ELCON APPROVAL AND AUTHORIZATION BY REVISION TO THIS DRAWING.

NOTES: UNLESS OTHERWISE SPECIFIED

INCH OR INCH (MM) THIRD ANGLE PROJECTION UNLESS OTHERWISE SPECIFIED DIMENSIONS ARE IN INCHES (METRIC) TOLERANCES ANGLES ± .5° DECIMALS .XXX ± .010 (.25) .XX ± .02 (.3)	DRAWN LOVATO/M. ALIM CHECKED	DATE 12/01/05	Tyco Electronics Corporation Menlo Park, Ca 94025		
	APPROVED D. CHAU	12/01/05	TITLE CONTACT, SOCKET, SIZE #16 CRIMP REMOVABLE, DOMINO PN 6648319-1		
	APPROVED M. ALIM	12/01/05	SIZE B	DWG NUMBER C-6648319	REV. A
	ACAD FILE NUMBER C6648319A.DWG		DWG SCALE 8=1	SH 1 OF 1	